

## TTW 5000 A



Spare Parts List

TIG Manual welding torch

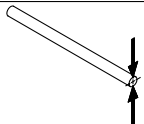




4,035,796 TTW5000A F++ / 4m / 13,1ft  
 4,035,797 TTW5000A F++ / 8m / 26,2ft

4,035,798 TTW5000A F++ / UD / 4m / 13,1ft  
 4,035,799 TTW5000A F++ / UD / 8m / 26,2ft

4,035,808 TTW5000A F++ / JM / Le / 4m / 13,1ft  
 4,035,809 TTW5000A F++ / JM / Le / 8m / 26,2ft

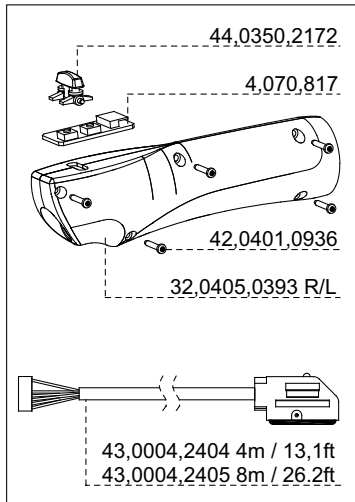
	Ø mm	Ø inch
	1,6-6,4	0,063-0,252



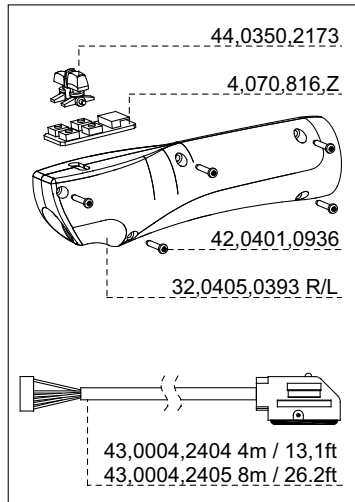
**TTW 5000A F++/UD/JM/Le**

Ersatzteilliste / Spare parts list / Listes de pièces de rechange / Lista de repuestos / Lista de peças sobresselentes / Lista dei Ricambi

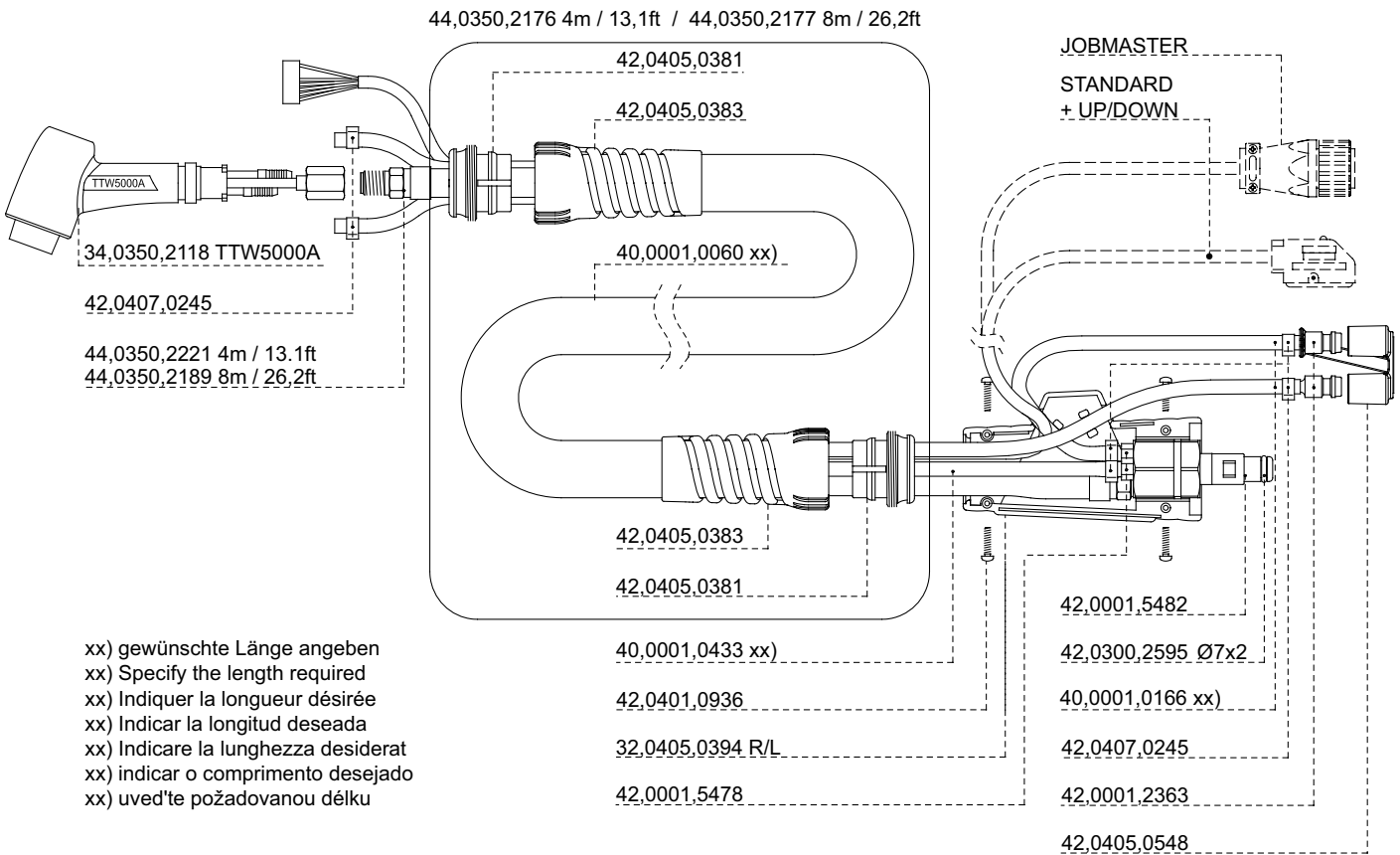
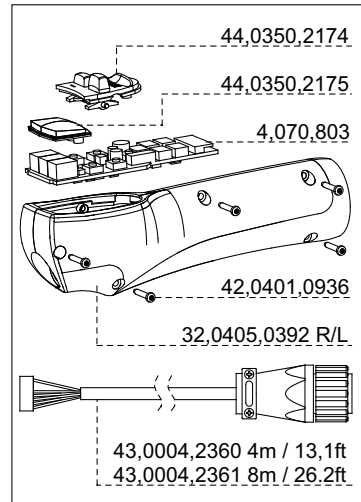
**STANDARD**



**UP/DOWN**

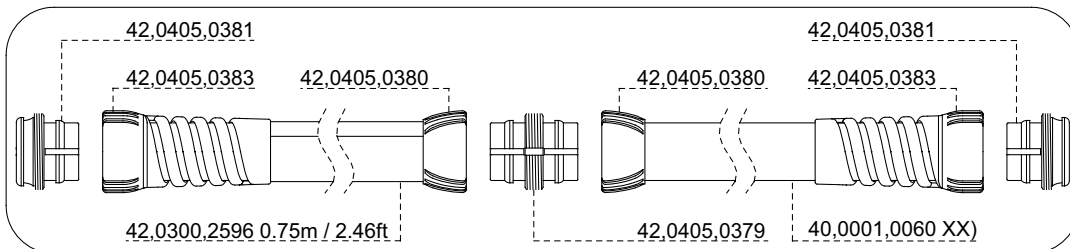


**JOBMASTER**



xx) gewünschte Länge angeben  
 xx) Specify the length required  
 xx) Indiquer la longueur désirée  
 xx) Indicar la longitud deseada  
 xx) Indicare la lunghezza desiderata  
 xx) indicar o comprimento desejado  
 xx) uved'te požadovanou délku

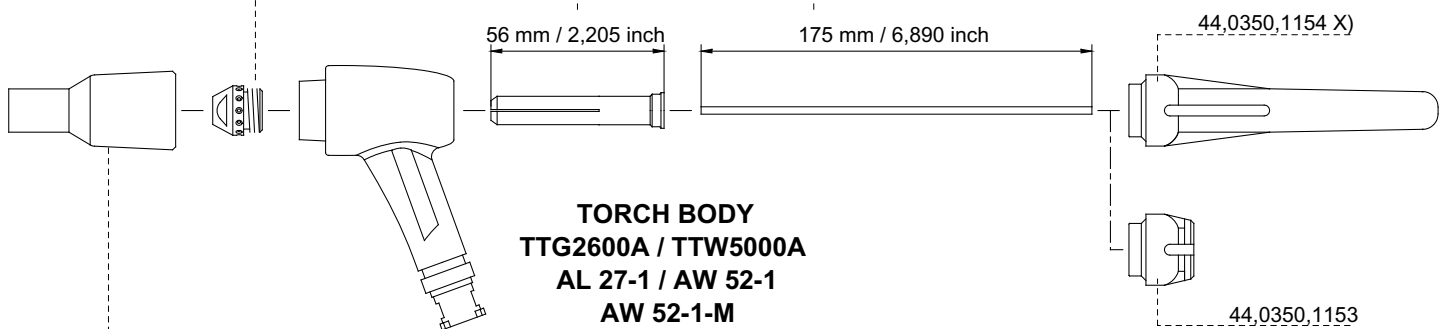
**OPTION - Leder / Leather / Cuir**  
**44,0350,2180 4m / 13,1ft / 44,0350,2181 8m / 26,2ft**



**TTW 5000A F++/UD/JM/Le**

Ersatzteilliste / Spare parts list / Listes de pièces de rechange / Lista de repuestos / Lista de peças sobresselentes / Lista dei Ricambi

Part No. clamping nut	Part No. collet	Part No. electrode WC20	Part No. electrode WP	Electrode Ø	
				Ø mm	Ø inch
42,0001,2278	42,0001,2276	42,0411,4001	42,0411,4008	1,6	0,063
42,0001,2279	42,0001,2277	42,0411,4002	42,0411,4005	2,4	0,094
42,0001,2272 X)	42,0001,2268 X)	42,0411,4003 X)	42,0411,4006	3,2	0,126
42,0001,2273	42,0001,2269	42,0411,4013	42,0411,4007	4,0	0,157
42,0001,2274	42,0001,2270	42,0411,4014	42,0411,4009	4,8	0,189
42,0001,2275	42,0001,2271	42,0411,4015		6,4	0,250



gas nozzle ceramic pluggable	L1		d1		d2		Part No.
	mm	inch	mm	inch	mm	inch	
	54	2,125	26.2	1,031	7,9	0,3125	42,0300,0707
					9,5	0,375	42,0300,0708
					11,1	0,4375	42,0300,0709 X)
					12,7	0,500	42,0300,0710
					15,9	0,625	42,0300,0711

- x) Standardausrüstung
- x) standard equipment
- x) équipement standard
- x) equipamiento estándar
- x) accessori standard
- x) equipamento de série



**FRONIUS INTERNATIONAL GMBH**

Froniusplatz 1, A-4600 Wels, Austria  
Tel: +43 (0)7242 241-0, Fax: +43 (0)7242 241-3940  
E-Mail: [sales@fronius.com](mailto:sales@fronius.com)  
[www.fronius.com](http://www.fronius.com)

**[www.fronius.com/addresses](http://www.fronius.com/addresses)**

Under <http://www.fronius.com/addresses> you will find all addresses  
of our Sales & service partners and Locations.